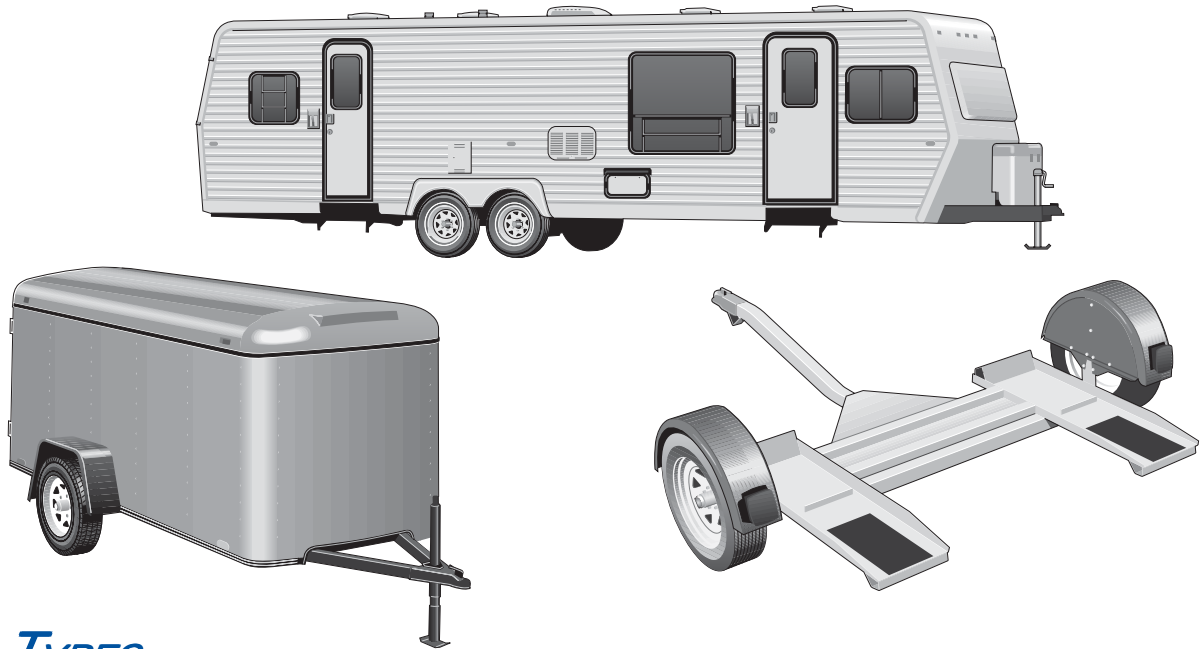


# GENERAL APPLICATIONS



2300 - 3500 LBS. CAPACITY

## AXLE TYPES

### 2300-3500 lbs. capacity

- Complete service manual
- Precision machined steel spindles and integral cast iron hub/drums
- Press-in wheel studs
- 10 x 2 1/4" CSA approved electric brakes, CSA approved uni-servo and free backing hydraulic brakes
- Electric and hydraulic brakes are available with and without parking feature
- Hydraulic free backing brakes available
- Hydraulic disc brakes available
- Inner wiring system for easier installation and protection of brake wiring
- Standard grease; E-Z Lube® or Nev-R-Lube™ option



- Totally rubber-cushioned for smooth, quiet independent ride
- Easy installation with less maintenance
- Less transfer of road shock which insulates cargo from road shocks and vibration
- Rubber cords compounded for maximum dependability and durability
- Load-carrying cross member
- Self-damping action
- Independent wheel suspension system
- 5 year limited warranty on suspension system
- Low profile for maximum road clearance
- Various starting angles to control trailer height
- High and low profile brackets with optional mounting brackets available
- Rubber cushioning eliminates metal-to-metal contact
- Shock absorption provided by the natural hysteresis of rubber
- Single or tandem axle assemblies
- Durable, wear-resistant components

### D35 LEAF SPRING



- Straight or Drop spindles (4" and 6" drop)
- High strength 2 3/8" diameter tube
- High quality alloy steel springs in a variety of capacities
- Single, tandem or triple axle assemblies with equalized suspensions
- Slipper spring or double eye leaf spring suspension
- Optional hanger and attaching parts kits available
- Durable, wear-resistant components
- 2 year limited warranty



#### CAUTION:

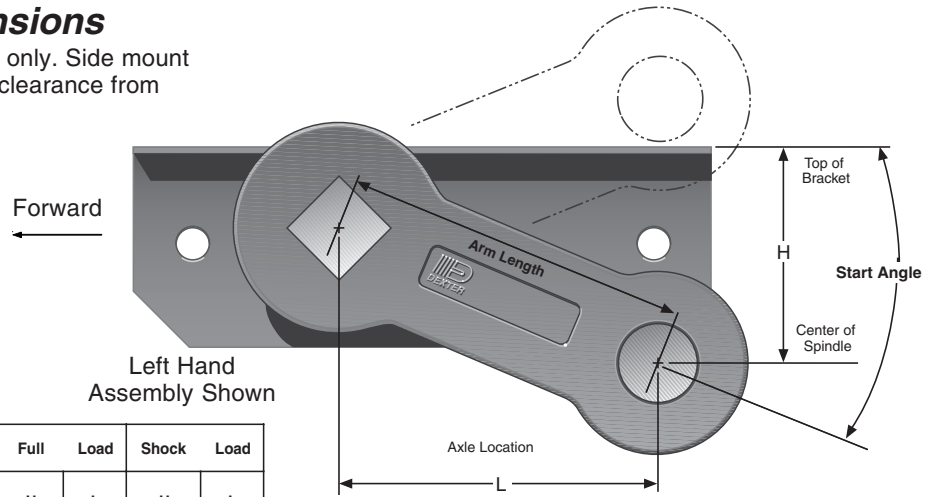
Triple axle assemblies are NOT recommended for Torflex® axles.

DEXTER AXLE



## Articulation Dimensions

Dimensions are for top mount only. Side mount is .18" higher. Allow 3" bump clearance from full load.



Left Hand Assembly Shown

Start Angle	Bracket Profile	No Load		Full Load		Shock Load	
		H	L	H	L	H	L
45° down	Low	5.73	4.24	3.79	5.54	2.79	5.86
	High	6.55	4.24	4.61	5.54	3.61	5.86
22.5° down	Low	3.79	5.54	1.49	6.00	0.45	5.91
	High	4.61	5.54	2.31	6.00	1.27	5.91
10° down	Low	2.53	5.91	0.19	5.86	-0.81	5.54
	High	3.35	5.91	1.01	5.86	0.01	5.54
0°	Low	1.49	6.00	-0.81	5.54	-1.73	5.06
	High	2.31	6.00	0.01	5.54	-0.91	5.06
10° up	Low	0.45	5.91	-1.73	5.06	-2.56	4.42
	High	1.27	5.91	-0.91	5.06	-1.74	4.42
22.5° up	Low	-0.81	5.54	-2.75	4.24	-3.43	3.44
	High	0.01	5.54	-1.93	4.24	-2.60	3.44

### #10 OVERHANG PER SIDE

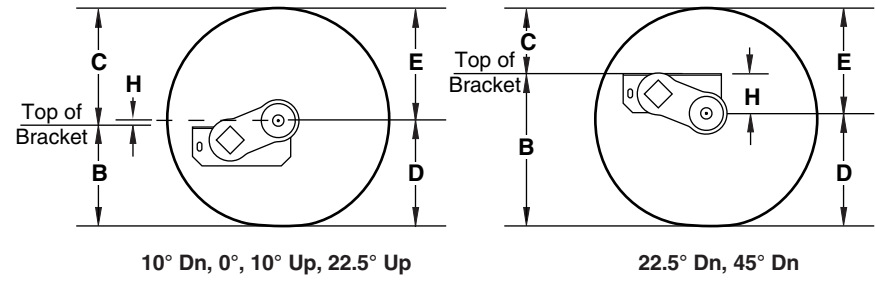
Spindle	Min.	Max.
Standard	6.30"	11.80"
Disc Brake	6.56"	11.80"

Note: Positive numbers in the H column indicate the spindle is BELOW the top of the bracket. Conversely, negative numbers are ABOVE the top of the bracket.



## Full Load Dimensions

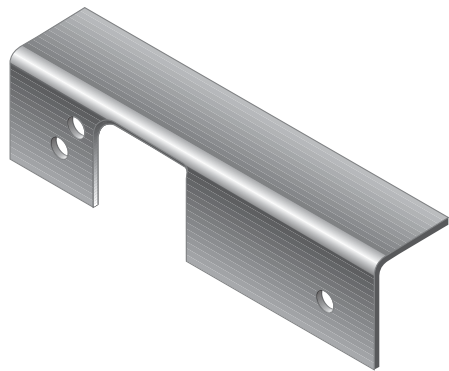
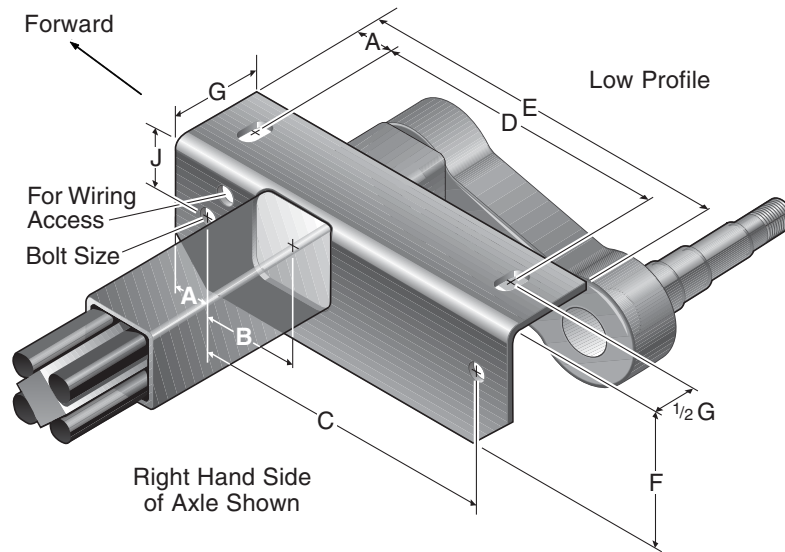
Dimensions are for low profile, top mount only. High profile brackets are .82" higher. Side mount is .18" higher. Allow 3" bump clearance from full load.



### START ANGLE

Tire	45° Down			22.5° Down			10° Down			0°			10° Up			22.5° Up			D	E
	H	B	C	H	B	C	H	B	C	H	B	C	H	B	C	H	B	C		
ST175/80R13	3.8	15.0	8.2	1.5	12.7	10.5	0.2	11.4	11.8	-0.8	10.4	12.8	-1.7	9.5	13.7	-2.8	8.4	14.8	11.2	12.0
ST205/75R14	3.8	15.9	9.3	1.5	13.6	11.6	0.2	12.3	12.9	-0.8	11.3	13.9	-1.7	10.4	14.8	-2.8	9.3	15.9	12.1	13.1
ST225/75R15	3.8	16.8	10.6	1.5	14.5	12.9	0.2	13.2	14.2	-0.8	12.2	15.2	-1.7	11.3	16.1	-2.8	10.2	17.2	13.0	14.4

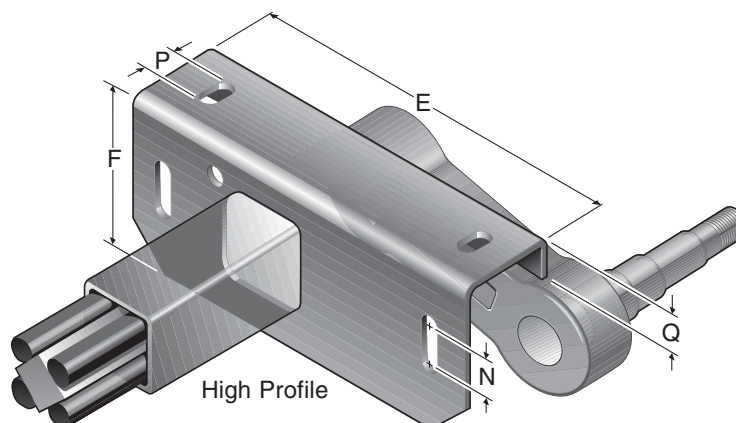
**10** Bracket Dimensions



Side Mount Hanger

**#10 BRACKET DIMENSIONS**

	Low	High
A	1.00	1.00
B	2.50	2.50
C	8.00	8.00
D	8.00	8.00
E	10.00	10.00
F	3.43	4.25
G	2.50	2.50
J	1.62	1.62
N	----	1.03
P	----	1.00
Q	----	1.00
Bolt Size	5/8" bolt	
Tube Size	2.62	2.62



# LEAF SPRING APPLICATION INFORMATION

**2300 - 3500 LBS. CAPACITY**

## DOUBLE EYE SPRINGS

*For standard 33" axle spacing*  
**Single A/P-122-00**  
**Tandem A/P-233-00**  
**Triple A/P-335-00**  
*Spring Length*

	21"	24"	26"
A	19.62	23.50	25.75
B	25.00	27.50	29.50
C	28.75	31.00	33.00
D	10.62	12.00	13.00
E	28.75	31.00	33.00

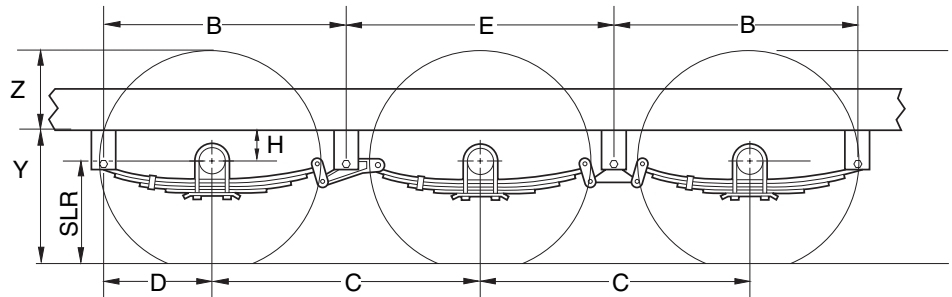
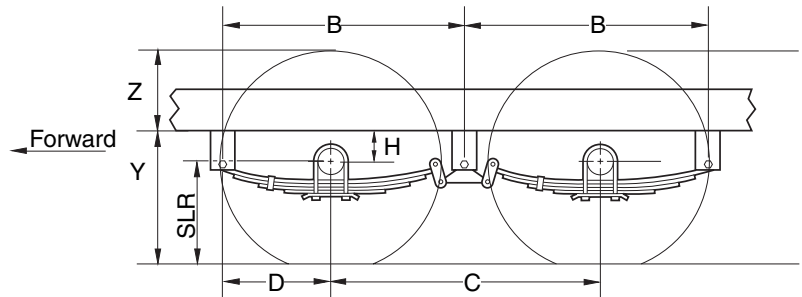
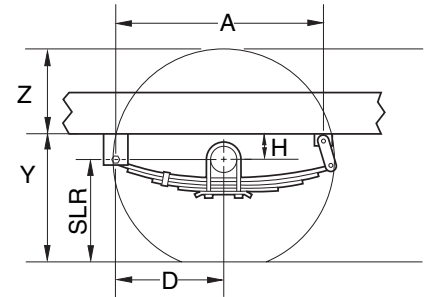
*For optional 35" axle spacing*  
**Tandem A/P-264-00**  
**Triple A/P-364-00**  
*Spring Length*

	21"	24"	26"
B	26.00	28.50	30.50
C	30.80	33.00	35.00
D	10.62	12.00	13.00
E	30.80	33.00	35.00

## D35 OVERHANG PER SIDE

	Min.	Disc.*	Max.
Straight	5.62"	7.5"	9.00"
4" Drop	7.00"	7.5"	9.00"
6" Drop	7.87"	7.87"	9.00"
3" dia. Str.	5.62"	7.5"	11.50"
3" dia. Drop	7.00"	7.5"	11.50"
Nev-R-Lube™	5.31"	-	9.00"

\* Minimum overhang with disc brakes



## DOUBLE EYE AXLE ASSEMBLIES

### Hanger Kits

Part No.	Description	Ht.	Quantity Per Kit				
			HGR-104-00	HGR-105-00	HGR-248-00	HGR-249-00	HGR-348-00
028-005-00	Hanger	3.25"	2	---	4	2	4
028-006-00	Front Hanger	1.44"	---	2	---	---	---
029-008-00	Front Hanger	2.06"	---	---	---	4	---
029-031-00	Center Hanger	3.62"	---	---	2	---	4
030-020-00	Rear Hanger	.91"	2	2	---	---	---

### Attaching Parts Kit

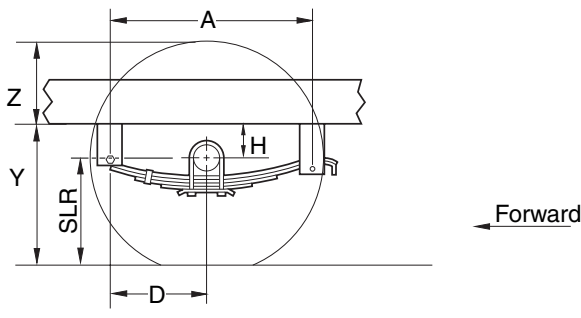
Part No.	Description	A/P-122-00	A/P-233-00	A/P-264-00†	A/P-335-00	A/P-364-00†
006-092-01	Flange Locknut	6	14	14	22	22
007-126-00	Shackle Bolt	2	6	6	10	10
013-104-02	Equalizer	---	2	---	2	---
013-105-02	Equalizer	---	---	---	2	---
013-122-02	Equalizer	---	---	2	---	2
013-126-02	Equalizer	---	---	---	---	2
018-011-00	Shackle Link	---	4	4	6	6
018-012-00	Shackle Link, Long	2	---	---	---	---
018-020-00	Shackle Link Assy.	---	4	4	6	6
018-021-00	Shackle Link Assy., Long	2	---	---	---	---

† For 35" axle spacing with 26" springs

**DEXTER AXLE**

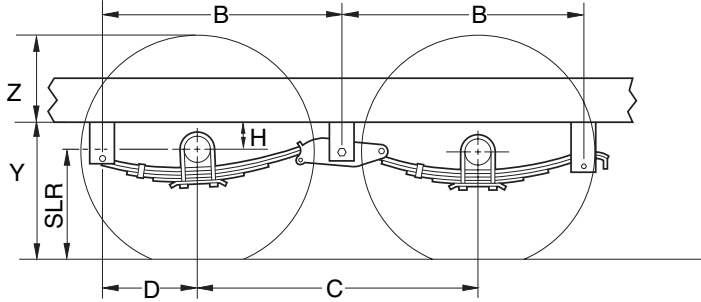
# LEAF SPRING APPLICATION INFORMATION

**2300 - 3500 LBS. CAPACITY**

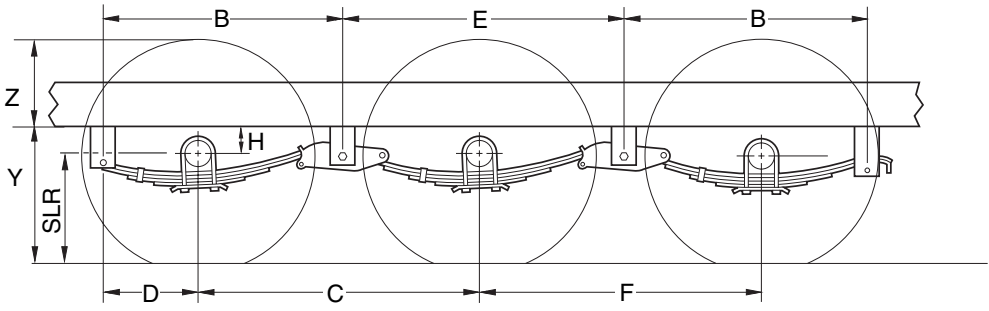


SLIPPER SPRINGS					
	Single	Tandem		Triple	
	A/P-103-00	A/P-202-00 <sup>§</sup>	A/P-216-00 <sup>‡</sup>	A/P-302-00 <sup>§</sup>	A/P-316-00 <sup>‡</sup>
A	24.0	----	----	----	----
B	----	28.8	30.4	28.8	30.4
C	----	33.5	36.0	33.5	36.0
D	11.5	11.5	11.5	11.5	11.5
E	----	----	----	33.0	35.0
F	----	----	----	33.0	35.0

Note: All 2" Wide Slipper Springs  
<sup>§</sup> For 33.5" axle spacing      <sup>‡</sup> For 36" axle spacing



A, B, E - Hanger Spacing  
 C - Axle Spacing  
 D - Axle Location  
 H - Center of Spindle  
 Y - Frame Height  
 Z - Top of Tire to Bottom of Frame  
 SLR - Static Load Radius  
 Contact your local sales engineer or distributor to run ProSpec™ to determine H, Y, Z, SLR.



## SLIPPER SPRING AXLE ASSEMBLIES

Hanger Kits				Quantity Per Kit		
Part No.	Description	Ht.	HGR-110-00	HGR-202-00	HGR-302-00	
028-001-00	Front Hanger	4.25"	2	2	2	
029-001-00	Center Hanger	3.50"	----	2	4	
030-028-00	Rear Hanger	4.00"	2	2	2	
Attaching Parts Kit						
Part No.	Description	A/P-103-00	A/P-202-00 <sup>§</sup>	A/P-216-00 <sup>‡</sup>	A/P-302-00 <sup>§</sup>	A/P-316-00 <sup>‡</sup>
006-007-01	<sup>9</sup> / <sub>16</sub> -18 Locknut	2	4	4	6	6
006-011-00	Keeper Nut	2	4	4	6	6
006-111-00	Equalizer Nut	----	2	2	4	4
007-001-01	Equalizer Bolt	----	2	2	4	4
007-007-00	Keeper Bolt	2	4	4	6	6
007-017-00	Spring Eye Bolt	2	4	4	6	6
013-004-00	Equalizer	----	2	----	4	----
013-044-01	Equalizer	----	----	2	----	4

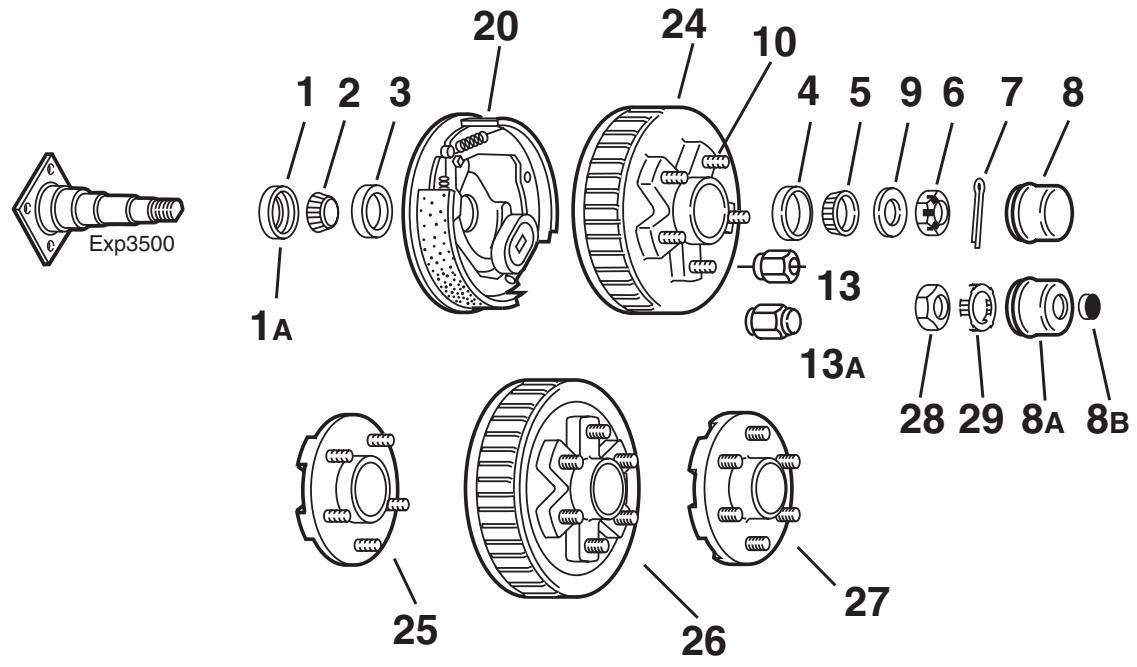
<sup>§</sup> For 33.5" axle spacing  
<sup>‡</sup> For 36" axle spacing

Some combinations of hangers and spring mounting may result in insufficient bump clearance. For additional Hanger kits, AP kits or other tires, refer to pages 85-87.

**DEXTER AXLE**

**2300 - 3500 LBS. CAPACITY**

## 545 AND OTHER HUB GROUP



### GREASE LUBE PARTS

Item	Part No.	Description
1	010-004-00	Grease Seal
1A	010-019-00	Grease Seal for E-Z Lube®
2	031-033-02	L68149 Inner Bearing Cone
3	031-033-01	L68111 Inner Bearing Cup
4	031-031-01	L44610 Outer Bearing Cup
5	031-031-02	L44649 Outer Bearing Cone
6	006-001-00	Spindle Nut
7	019-002-00	Cotter Pin
8	021-003-00	Grease Cap
8A	021-041-01	Grease Cap for E-Z Lube®
8B	085-001-00	Rubber Plug for E-Z Lube®
9	005-023-00	Spindle Washer
28	006-191-00	Special Jam Nut for E-Z Lube® (after 2002)
29	006-190-00	Spindle Nut Retainer for E-Z Lube® (after 2002)

### 10 X 2 1/4 BRAKES

Item	Part No.	Description
20	K23-026-00/K23-027-00	LH/RH Electric
ns	K23-086-00/K23-087-00	LH/RH Electric with park
ns	K23-312-00/K23-313-00	LH/RH Hydraulic Uni-servo
ns	K23-330-00/K23-331-00	LH/RH Hydraulic Uni-servo w/park
ns	K23-310-00/K23-311-00	LH/RH Hydraulic Duo-servo
ns	K23-400-00/K23-401-00	LH/RH Hydraulic Duo-servo w/park
ns	K23-344-00/K23-345-00	LH/RH Hydraulic Free Backing
ns	K23-344-01/K23-345-01	LH/RH Hydraulic FB Corrosion Resistant

ns - not shown

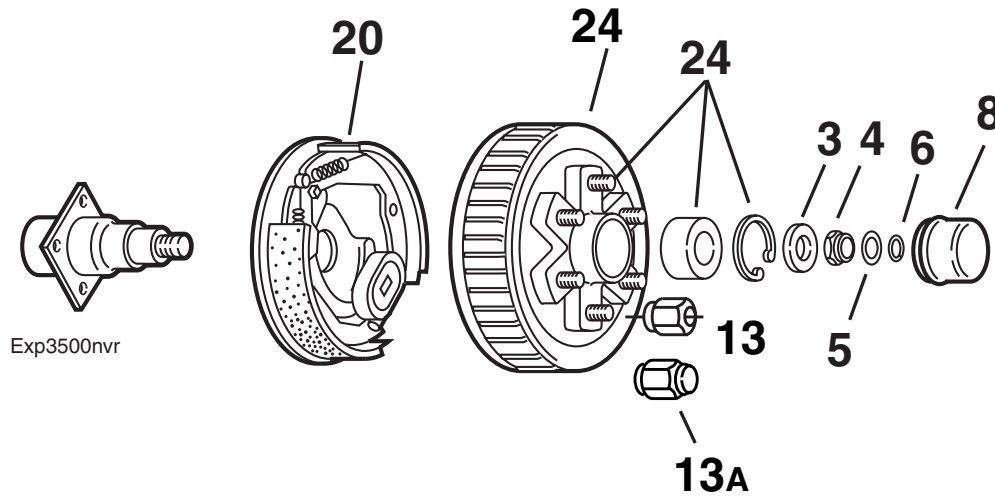
### HUBS

Item	Part No.	Description	Bolt Circle
<i>Hubs and Drums</i>			
24	008-247-05	1/2" Stud	5 on 4.50
24	008-249-07	1/2" Stud	5 on 5.00
24	008-249-05	1/2" Stud	5 on 5.50
26	008-250-05	1/2" Stud	6 on 5.50
24	008-247-12	1/2" Stud	5 on 4.75
<i>Plain Hubs</i>			
25	008-248-05	1/2" Stud	5 on 4.50
25	008-248-10	1/2" Stud	5 on 4.75
25	008-256-07	1/2" Stud	5 on 5.00
25	008-256-05	1/2" Stud	5 on 5.50
27	008-251-05	1/2" Stud	6 on 5.50

### STUDS & WHEEL NUTS

Item	Part No.	Description
10	007-122-00	1/2-20 Pressed Wheel Stud
13A	006-098-00	1/2-20 Stainless Steel Capped Wheel Nut
13	006-080-00	1/2-20 60° Cone Nut

**DEXTER AXLE**



### NEV-R-LUBE™ PARTS 35MM

Item	Part No.	Description
3	005-150-00	Spindle Washer
4	006-183-00	Spindle Nut
5	092-002-00	Washer, Torque Label
6	069-096-00	Snap Ring
8	021-084-00	Grease Cap

### 10 X 2 1/4 BRAKES

Item	Part No.	Description
20	K23-026-00/K23-027-00	LH/RH Electric
ns	K23-086-00/K23-087-00	LH/RH Electric with park
ns	K23-312-00/K23-313-00	LH/RH Hydraulic Uni-servo
ns	K23-330-00/K23-331-00	LH/RH Hydraulic Uni-servo w/park
ns	K23-310-00/K23-311-00	LH/RH Hydraulic Duo-servo
ns	K23-400-00/K23-401-00	LH/RH Hydraulic Duo-servo w/park
ns	K23-344-00/K23-345-00	LH/RH Hydraulic Free Backing
ns	K23-344-01/K23-345-01	LH/RH Hydraulic FB Corrosion Resistant

ns - not shown

### HUB WITH BEARING AND WHEEL STUDS

Item	Part No.	Description	Bolt Circle
24	008-386-80	Hub and Drum includes: 007-185-00 1/2-20 Press-in Stud 031-072-03 35mm Cartridge Bearing 069-094-00 Bearing Retainer	6 on 5.50

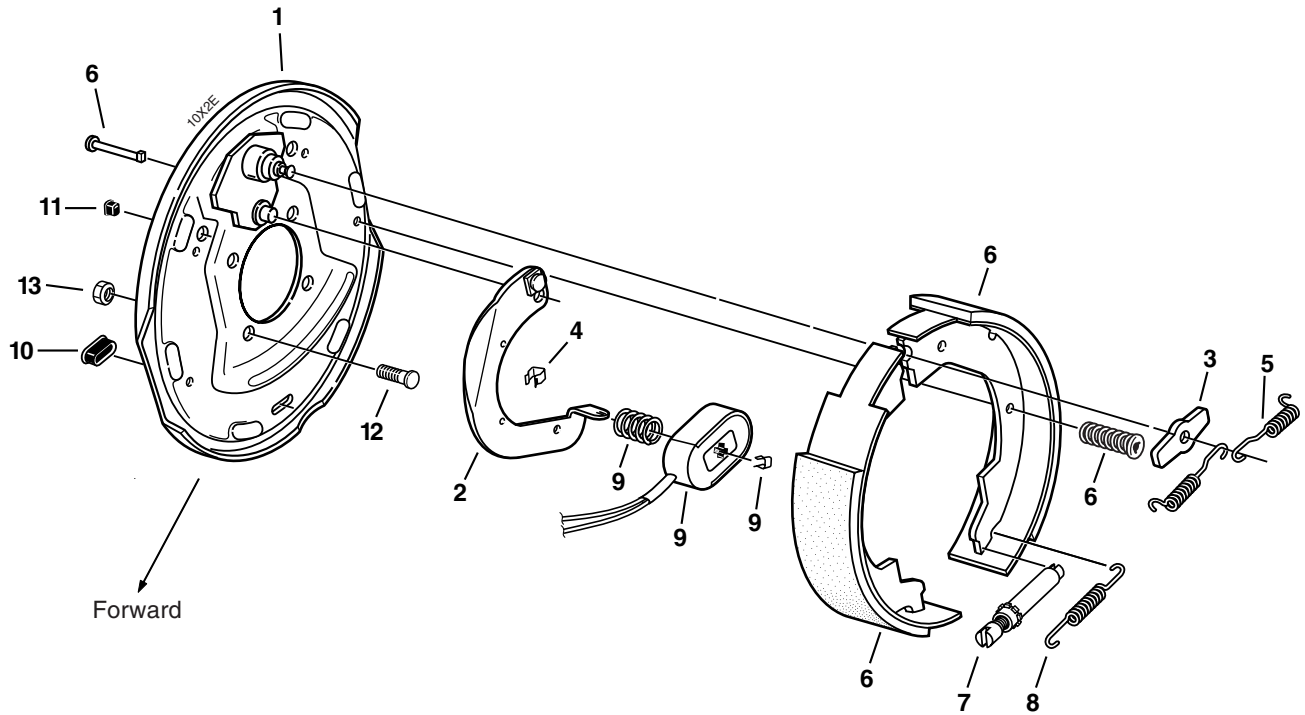
### WHEEL NUTS

Item	Part No.	Description
13A	006-098-00	1/2-20 Stainless Steel Capped Wheel Nut
13	006-080-00	1/2-20 60° Cone Nut

# 10x2 1/4" ELECTRIC BRAKE

CSA approved at 3500#/13.3 SLR

2300 - 3500 LBS. CAPACITY



## ELECTRIC BRAKE

Item	Part No.	Qty/Brk	Description
0	K23-026-00	1	LH Complete Brake Assembly (shown)
0	K23-027-00	1	RH Complete Brake Assembly
1	036-019-10	1	Backing Plate Assembly
2	047-019-05	1	LH Actuating Lever Arm
2	047-020-05	1	RH Actuating Lever Arm
3	005-067-00	1	Washer
4	027-005-00	3	Wire Clip
5	046-009-00	2	Retractor Spring
6	K71-047-00	1	Shoe & Lining Kit containing: 1 #040-017-00 Primary S&L 1 #040-021-00 Secondary S&L 2 #049-002-00 Shoe Hold Down Pin #8 2 #046-077-00 Shoe Hold Down Spring & Cup
7	043-004-00	1	Adjuster Assembly
8	046-018-00	1	Adjusting Screw Spring
9	K71-104-00	1	Magnet Kit containing: 1 #042-097-01 Magnet (green wire) 1 #027-009-00 Magnet Clip 1 #046-080-00 Magnet Spring
10	046-007-00	1	Adjuster Slot Plug
11	046-016-00	1	Wire Grommet
12	007-041-00	4	Brake Mounting Bolt - Press-in
*13	006-017-00	4	Brake Mounting Nut

\* Not included with complete brake assembly. Items sold separately.

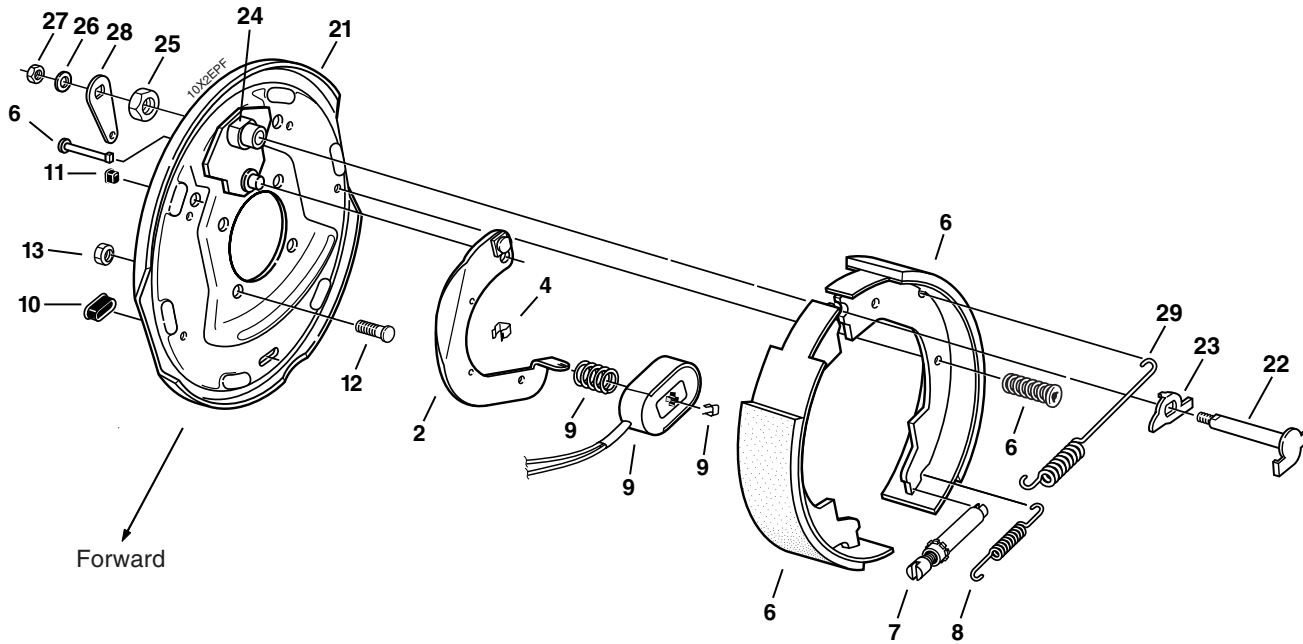
DEXTER AXLE



# 10x2 1/4" ELECTRIC BRAKE WITH PARKING FEATURE

CSA approved at 3500#/13.3 SLR

2300 - 3500 LBS. CAPACITY



## ELECTRIC PARKING BRAKE

Item	Part No.	Qty/Brk	Description
0	K23-086-00	1	LH Complete Brake Assembly (shown)
0	K23-087-00	1	RH Complete Brake Assembly
2	047-019-05	1	LH Actuating Lever Arm
2	047-020-05	1	RH Actuating Lever Arm
4	027-005-00	3	Wire Clip
6	K71-047-00	1	Shoe & Lining Kit containing: 1 #040-017-00 Primary S&L 1 #040-021-00 Secondary S&L 2 #049-002-00 Shoe Hold Down Pin #8 2 #046-077-00 Shoe Hold Down Spring & Cup
7	043-004-00	1	Adjuster Assembly
8	046-018-00	1	Adjusting Screw Spring
9	K71-104-00	1	Magnet Kit containing: 1 #042-097-01 Magnet (green wire) 1 #027-009-00 Magnet Clip 1 #046-080-00 Magnet Spring
10	046-007-00	1	Adjuster Slot Plug
11	046-016-00	1	Wire Grommet
12	007-041-00	4	Brake Mounting Bolt - Press-in
*13	006-017-00	4	Brake Mounting Nut
21	036-019-07	1	LH Backing Plate Assembly (includes items #12, 22-28)
21	036-019-08	1	RH Backing Plate Assembly (includes items #12, 22-28)
22	039-025-00	1	LH Pivot Pin & Cam Sub-Assembly
22	039-026-00	1	RH Pivot Pin & Cam Sub-Assembly
23	039-048-00	1	LH Actuating Cam
23	039-049-00	1	RH Actuating Cam
24	038-047-00	1	Anchor Post & Bushing Assembly
25	006-047-00	1	Anchor Post Locknut
26	005-041-00	1	Washer
27	006-011-00	1	Pivot Pin Locknut
28	047-070-00	1	Actuating Lever
29	046-056-00	1	Retractor Spring

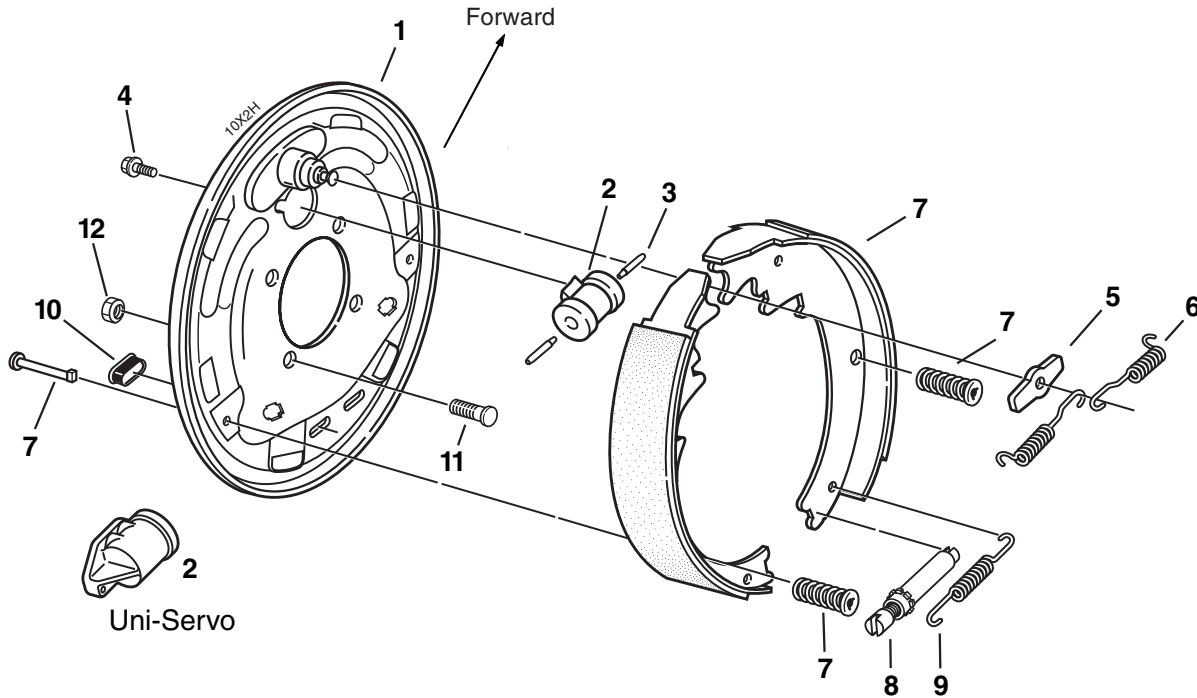
\* Not included with complete brake assembly. Item sold separately.

DEXTER AXLE

# 10x2 1/4" HYDRAULIC BRAKE

CSA approved at 3500#/14.0 SLR; Uni-Servo

2300 - 3500 LBS. CAPACITY



Note: Uni-servo brakes to be used with surge actuator

## HYDRAULIC BRAKE

Item	Part No.	Qty/Brake	Description
0	K23-310-00	1	LH Brake Assembly Complete-DS
0	K23-311-00	1	RH Brake Assembly Complete-DS (shown)
0	K23-312-00	1	LH Brake Assembly Complete-US
0	K23-313-00	1	RH Brake Assembly Complete-US (shown)
1	036-094-03	1	Backing Plate Assembly (includes item #11)
2	054-062-00	1	LH Brake Cylinder Duo-Servo
2	054-063-00	1	RH Brake Cylinder Duo-Servo
2	054-064-00	1	LH Brake Cylinder Uni-Servo
2	054-065-00	1	RH Brake Cylinder Uni-Servo
3	054-060-00	1 or 2	Cylinder Push Rod US (1) DS (2)
4	087-001-00	2	Sems (Screw & Washer Assembly)
5	005-113-00	1	Anchor Post Washer
6	046-009-00	2	Retractor Spring
7	K71-267-00	1	Shoe & Lining Kit containing: 1 #040-210-00 Primary Shoe & Lining 1 #040-211-00 Secondary Shoe & Lining 2 #046-077-00 Shoe Hold Down Spring & Cup 2 #049-002-00 Shoe Hold Down Pin #8
8	043-004-00	1	Adjuster Assembly
9	046-018-00	1	Adjusting Screw Spring
10	046-007-00	1	Adjuster Slot Plug
11	007-041-00	4	Brake Mounting Bolt - Press-in
*12	006-017-00	4	Brake Mounting Nut
ns	054-089-00	1	Bleeder Screw (included with item #2)

ns - not shown

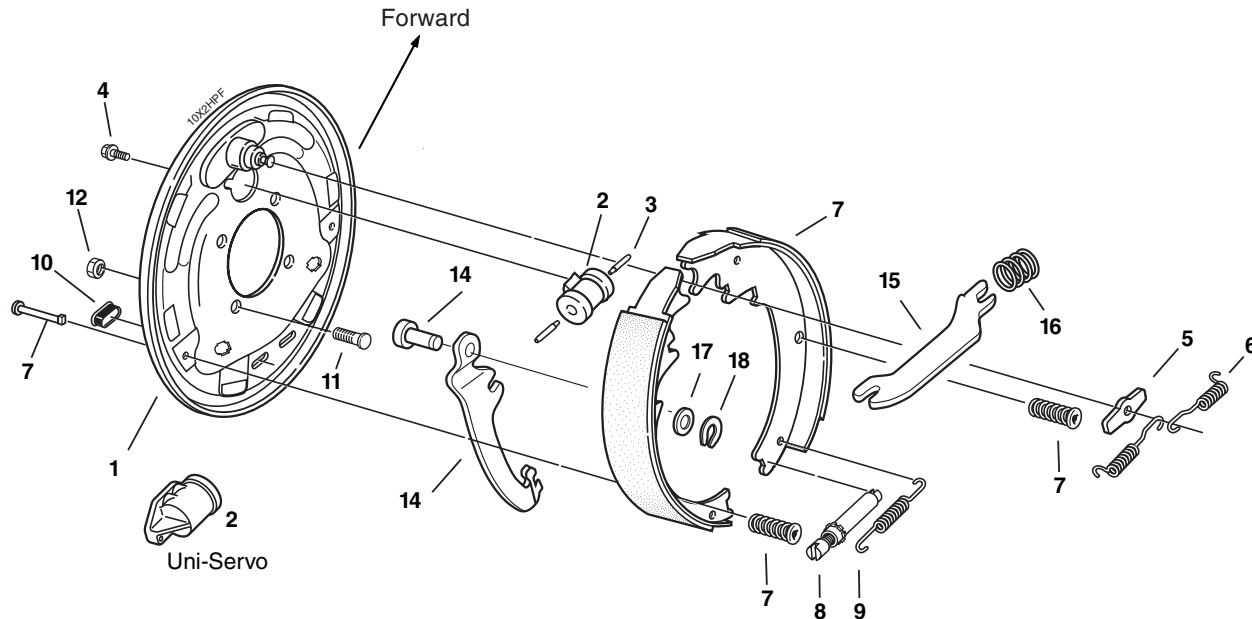
\*Not included with complete brake assembly. Item sold separately.

DEXTER AXLE

# 10x2 1/4" HYDRAULIC BRAKE WITH PARKING FEATURE

CSA approved at 3500#/14.0 SLR;Uni-Servo

2300 - 3500 LBS. CAPACITY



Note: Uni-servo brakes to be used with surge actuator

## HYDRAULIC PARKING BRAKE

Item	Part No.	Qty/Brk	Description
0	K23-330-00	1	LH Brake Assembly Complete-w/park-US
0	K23-331-00	1	RH Brake Assembly Complete-w/park-US (shown)
0	K23-400-00	1	LH Brake Assembly Complete-w/park-DS
0	K23-401-00	1	RH Brake Assembly Complete-w/park-DS (shown)
1	036-094-03	1	Backing Plate Assembly (includes item #11)
2	054-064-00	1	LH Brake Cylinder Uni-Servo
2	054-065-00	1	RH Brake Cylinder Uni-Servo
2	054-062-00	1	LH Brake Cylinder Duo-Servo
2	054-063-00	1	RH Brake Cylinder Duo-Servo
3	054-060-00	1 or 2	Cylinder Push Rod US (1) DS (2)
4	087-001-00	2	Sems (Screw & Washer Assembly)
5	005-113-00	1	Anchor Post Washer
6	046-009-00	2	Retractor Spring
7	K71-267-00	1	Shoe & Lining Kit containing: 1 #040-210-00 Primary Shoe & Lining 1 #040-211-00 Secondary Shoe & Lining 2 #046-077-00 Shoe Hold Down Spring & Cup 2 #049-002-00 Shoe Hold Down Pin #8
8	043-004-00	1	Adjuster Assembly
9	046-018-00	1	Adjusting Screw Spring
10	046-007-00	1	Adjuster Slot Plug
11	007-041-00	4	Brake Mounting Bolt
*12	006-017-00	4	Brake Mounting Nut
14	047-116-01	1	LH Parking Lever & Pin Assembly
14	047-117-01	1	RH Parking Lever & Pin Assembly
15	047-118-00	1	Parking Strut
16	046-103-00	1	Parking Strut Spring
17	005-112-00	1	Spring Tension Washer
18	069-055-00	1	Retainer
ns	054-089-00	1	Bleeder Screw (included with item #2)
ns	071-514-00	1	Park Brake Cable

ns - not shown

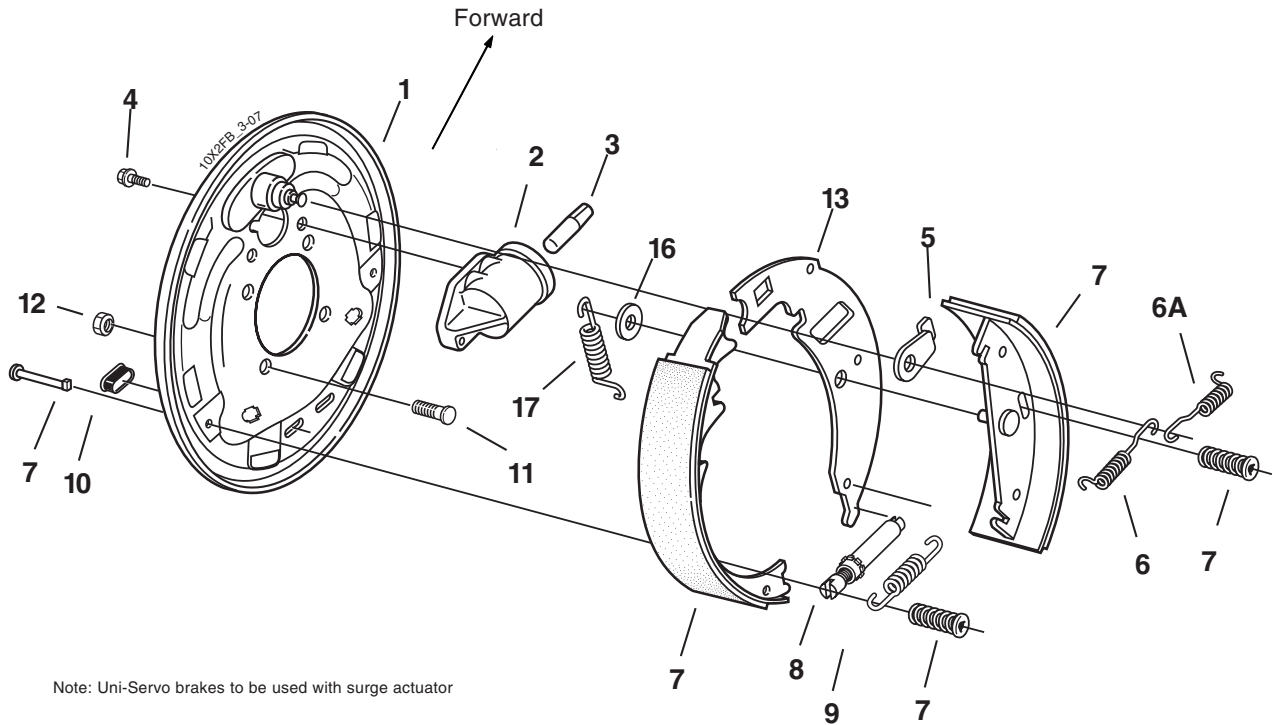
\*Not included with complete brake assembly. Item sold separately.

DEXTER AXLE

# 10x2 1/4" HYDRAULIC BRAKE FREE BACKING

CSA approved at 3500#/14.0 SLR; Uni-Servo

2300 - 3500 LBS. CAPACITY



Note: Uni-Servo brakes to be used with surge actuator

## HYDRAULIC FREE BACKING BRAKE

Item	Part No.	Qty/Brk	Description
0	K23-344-00	1	LH Brake Assembly Complete-FB
0	K23-345-00	1	RH Brake Assembly Complete-FB (shown)
1	036-094-03	1	Backing Plate Assembly (incl. item #11)
2	054-064-00	1	LH Brake Cylinder Uni-Servo
2	054-065-00	1	RH Brake Cylinder Uni-Servo
3	054-060-00	1	Cylinder Push Rod
4	087-001-00	2	Sems (screw & washer assembly)
5	037-069-02	1	Travel Link
6	046-009-00	1	Retractor Spring
6A	046-107-01	1	Shoe Lever Return Spring
7	K71-393-00	1	Shoe & Lining Kit containing: 1 #040-291-00 Primary Shoe & Lining 1 #040-211-00 Secondary Shoe & Lining 2 #046-077-00 Shoe Hold Down Spring & Cup 2 #049-002-00 Shoe Hold Down Pin #8
8	043-004-00	1	Adjuster Assembly
9	046-083-00	1	Adjusting Screw Spring
10	046-007-00	1	Adjuster Slot Plug
11	007-041-00	4	Brake Mounting Bolt
*12	006-017-00	4	Brake Mounting Nut
13	040-240-02	1	Shoe Lever
16	005-064-00	1	Washer
17	046-108-01	1	Primary Shoe Return
ns	054-089-00	1	Bleeder Screw (included with item #2)
ns	071-514-00	1	Park Brake Cable

ns - not shown

\* Not included with complete brake assembly. Items sold separately.

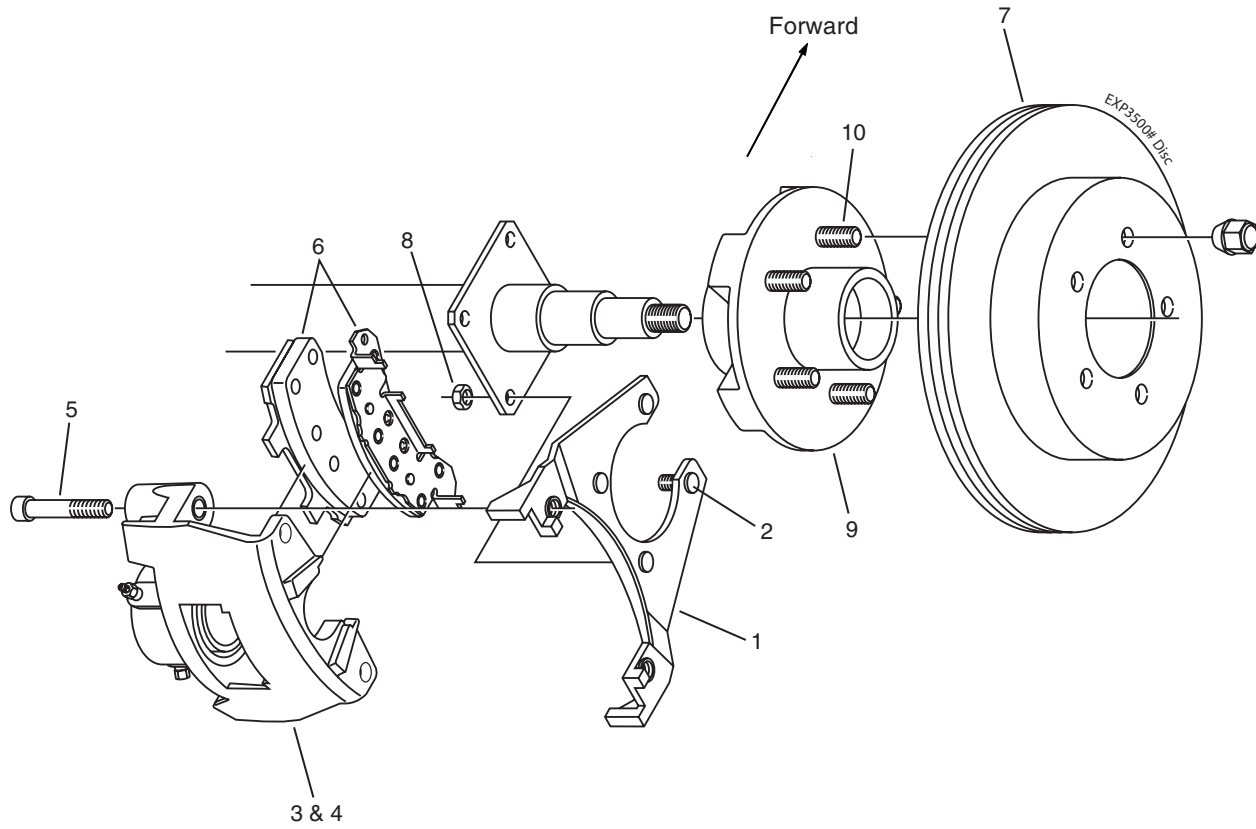
## HYDRAULIC FREE BACKING BRAKE CORROSION RESISTANT

Item	Part No.	Qty/Brk	Description
0	K23-344-01	1	LH Brake Assembly Complete-FB
0	K23-345-01	1	RH Brake Assembly Complete-FB
1	036-094-04	1	Backing Plate Assembly (incl. item #11)
2	054-064-01	1	LH Brake Cylinder Uni-Servo
2	054-065-01	1	RH Brake Cylinder Uni-Servo
3	054-060-00	1	Cylinder Push Rod
4	087-001-00	2	Sems (screw & washer assembly)
5	037-069-02	1	Travel Link
6	046-009-01	1	Retractor Spring
6A	046-107-03	1	Shoe Lever Return Spring
7	K71-393-00	1	Shoe & Lining Kit containing: 1 #040-291-00 Primary Shoe & Lining 1 #040-211-00 Secondary Shoe & Lining 2 #046-077-00 Shoe Hold Down Spring & Cup 2 #049-002-00 Shoe Hold Down Pin #8
8	043-004-02	1	Adjuster Assembly
9	046-083-01	1	Adjusting Screw Spring
10	046-007-00	1	Adjuster Slot Plug
11	007-041-00	4	Brake Mounting Bolt
*12	006-017-00	4	Brake Mounting Nut
13	040-240-02	1	Shoe Lever
16	005-064-00	1	Washer
17	046-108-03	1	Primary Shoe Return Spring
ns	054-089-00	1	Bleeder Screw (included with item #2)

DEXTER AXLE

# DISC BRAKE FOR 3,500 LB. AXLES

2300 - 3500 LBS. CAPACITY



## DISC BRAKE 3500#

Item	Part No.	Qty/Brk	Description
1	090-004-01	1	Anchor Yoke Assembly (incl. item #2)
2	007-041-00	4	Brake Mounting Bolt - Press-in
3	K71-624-00	1	LH Caliper Assembly Kit (incl. items #5, 6)
4	K71-625-00	1	RH Caliper Assembly Kit (incl. items #5, 6) (shown)
5	007-256-00	2	Caliper Mounting Bolt
6	K71-623-00	1	Brake Pad Kit (axle set)
7	K71-626-00	1	Rotor Kit
8	006-017-00	4	Yoke Mounting Nut
ns	054-097-00	1	Bleed Screw & Adapter (service part only)

## DISC BRAKE HUBS & STUDS

Item	Part No.	Qty/Brk	Description
9	008-248-22	1	1/2" Stud 5 on 4.50
10	007-150-00	5	1/2-20 x 2.09" Wheel Stud
ns	054-095-00	1	Bleeder Screw (included with items #3, 4)

ns - not shown

DEXTER AXLE